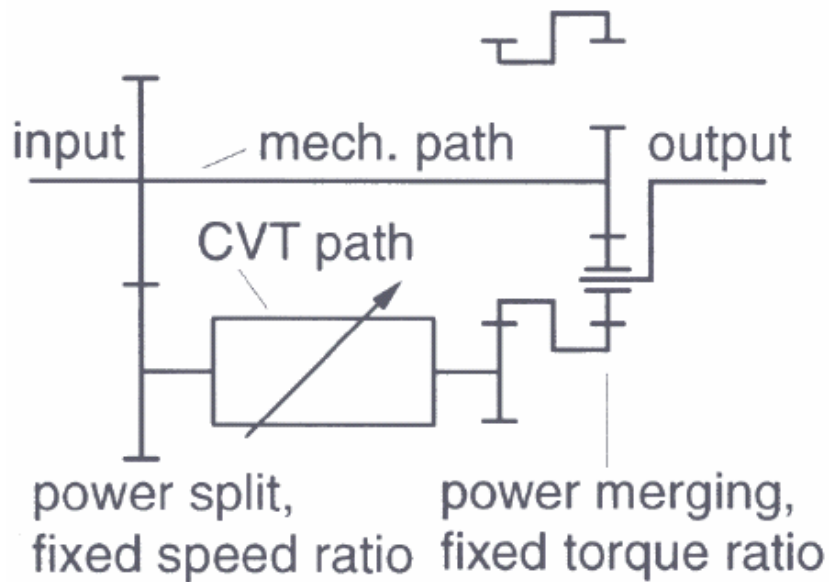
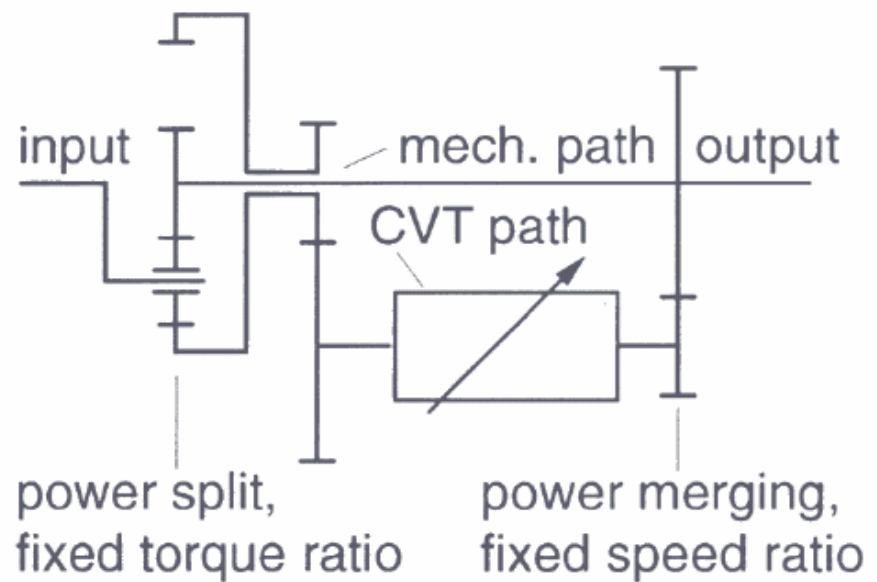


# Hydromechanical Transmissions

A Planetary input coupled



B Planetary output coupled

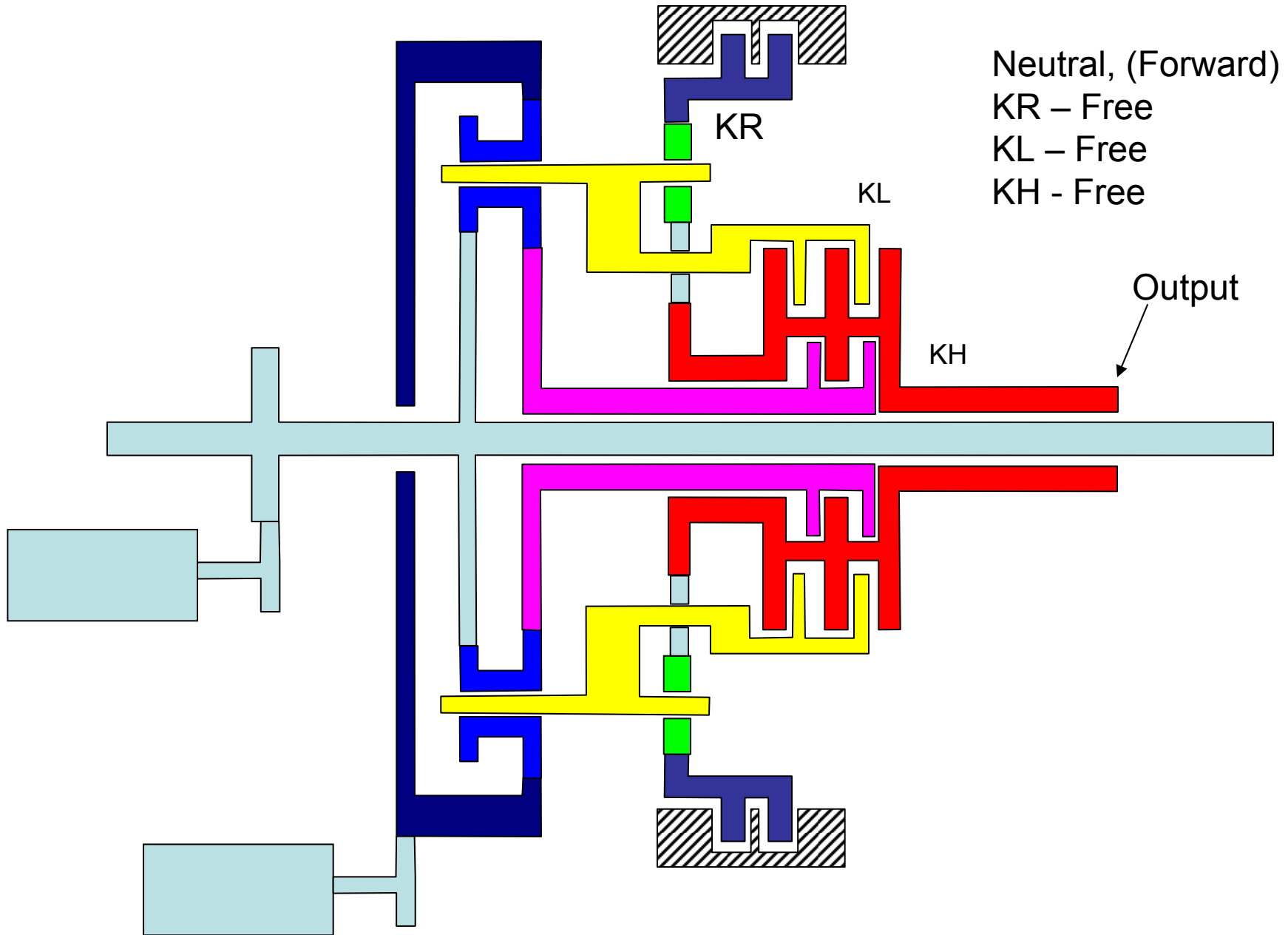


**Fig. 29 Two basic concepts of continuously variable transmissions using the external power split principle (classification of Kress 1968).**

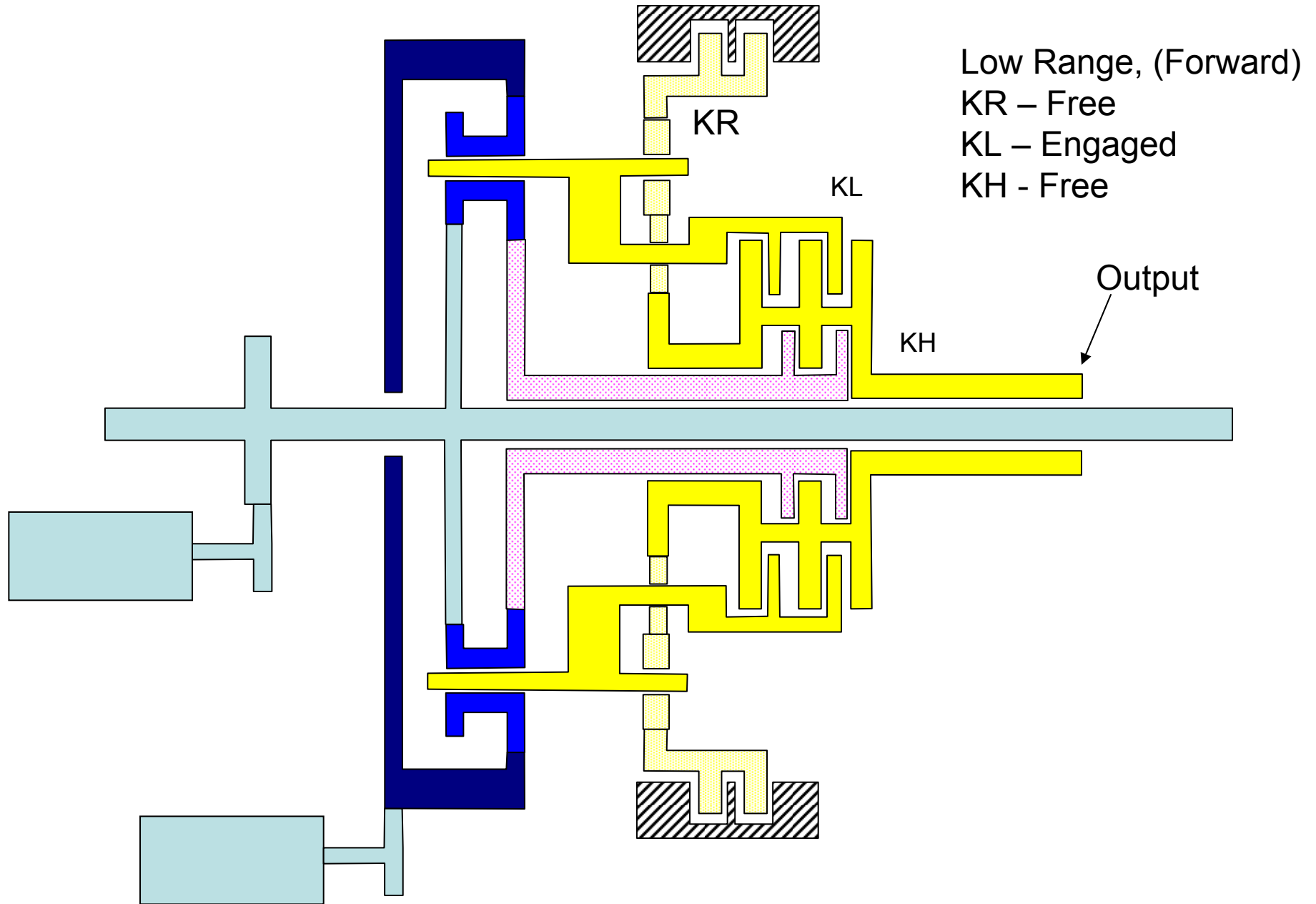
- $T_r + T_s + T_c = 0$

$$T_r = K \cdot T_s$$

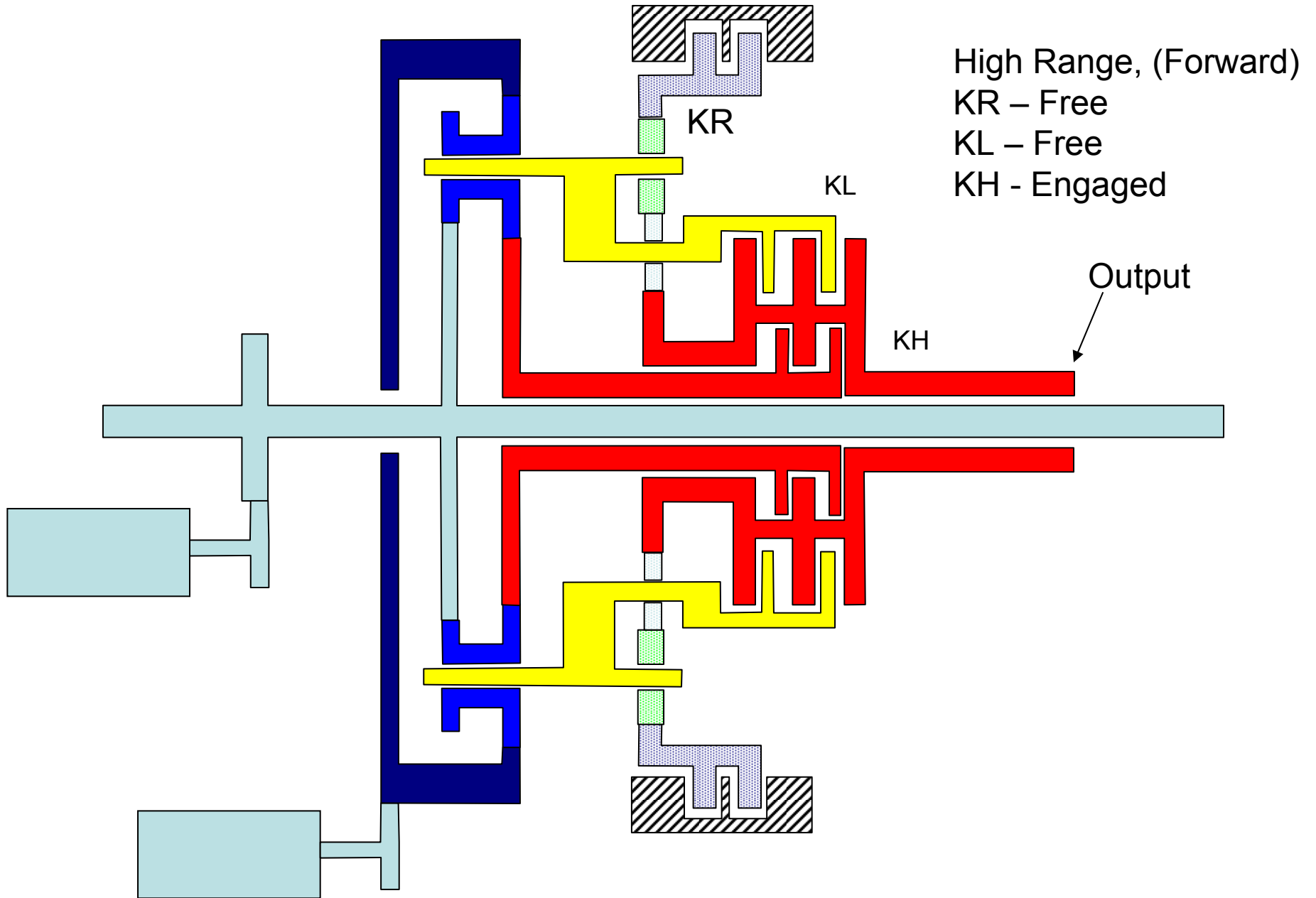
$$N_s.n_s = N_{pc}[n_s + n_r.(n_{ps} / n_{pr})] - N_r[n_r.(n_{ps} / n_{pr})]$$



$$N_s.n_s = N_{pc}[n_s + n_r.(n_{ps} / n_{pr})] - N_r[n_r.(n_{ps} / n_{pr})]$$



$$N_s.n_s = N_{pc}[n_s + n_r.(n_{ps} / n_{pr})] - N_r[n_r.(n_{ps} / n_{pr})]$$



$$N_s.n_s = N_{pc}[n_s + n_r.(n_{ps} / n_{pr})] - N_r[n_r.(n_{ps} / n_{pr})]$$

