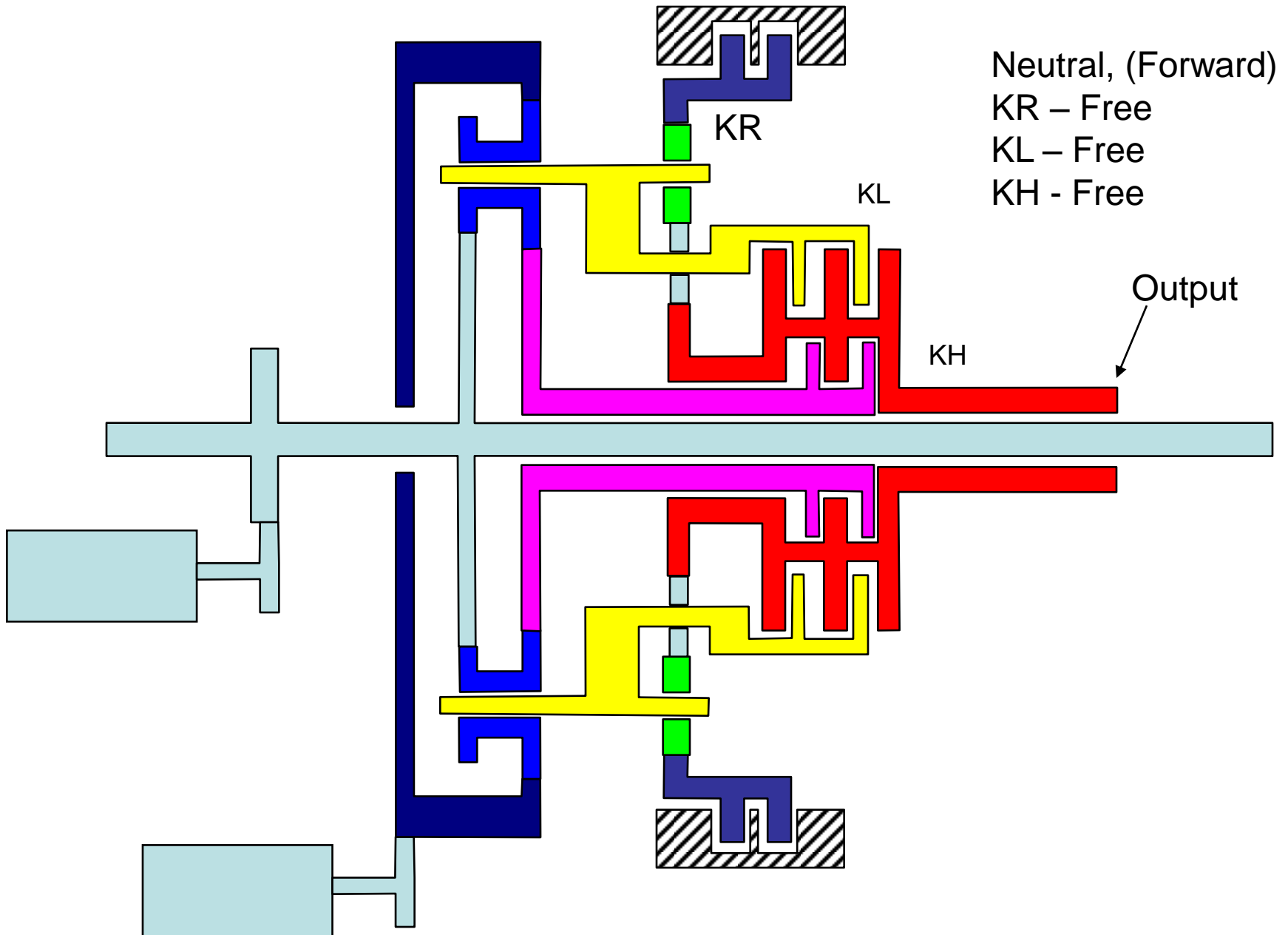
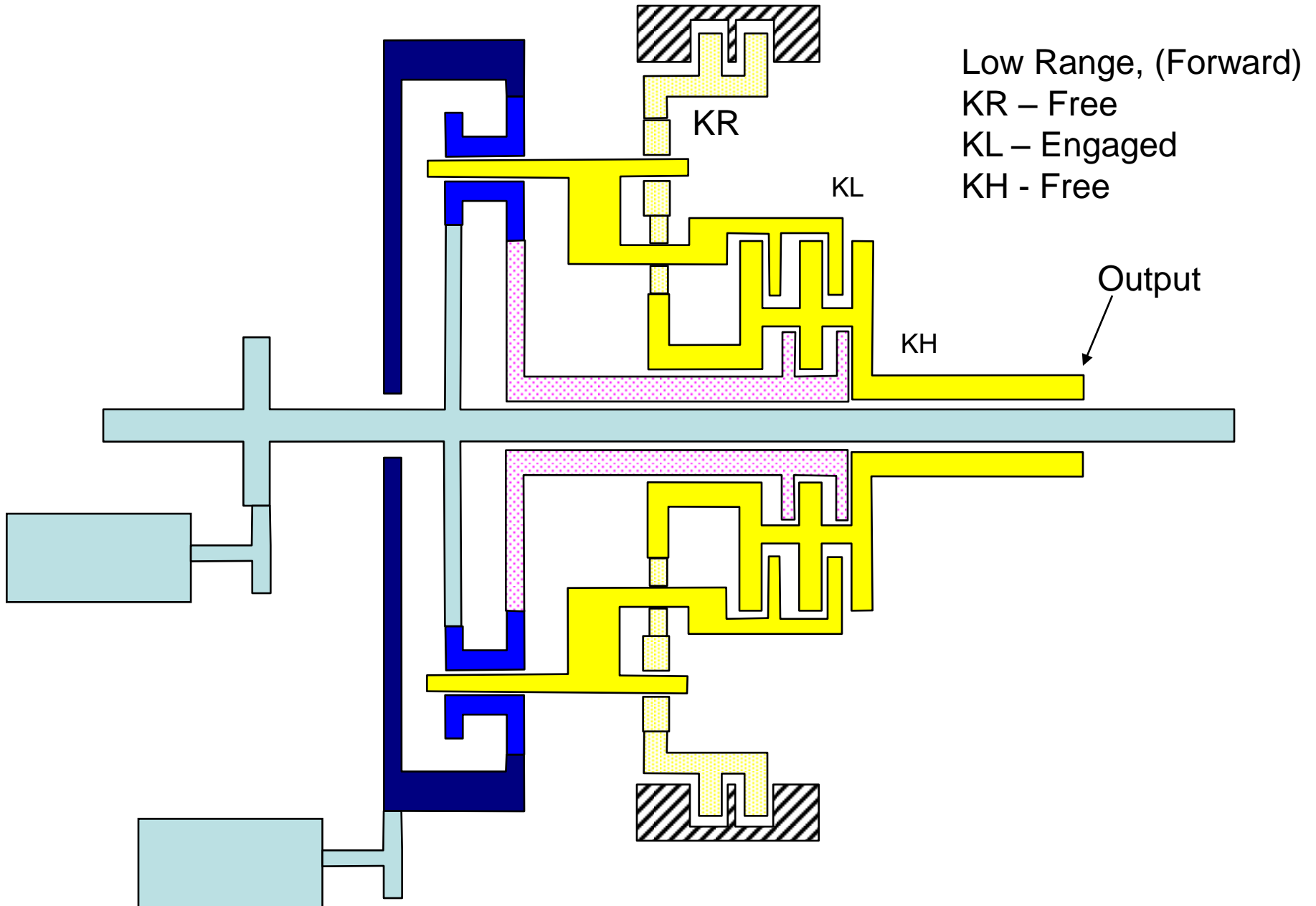


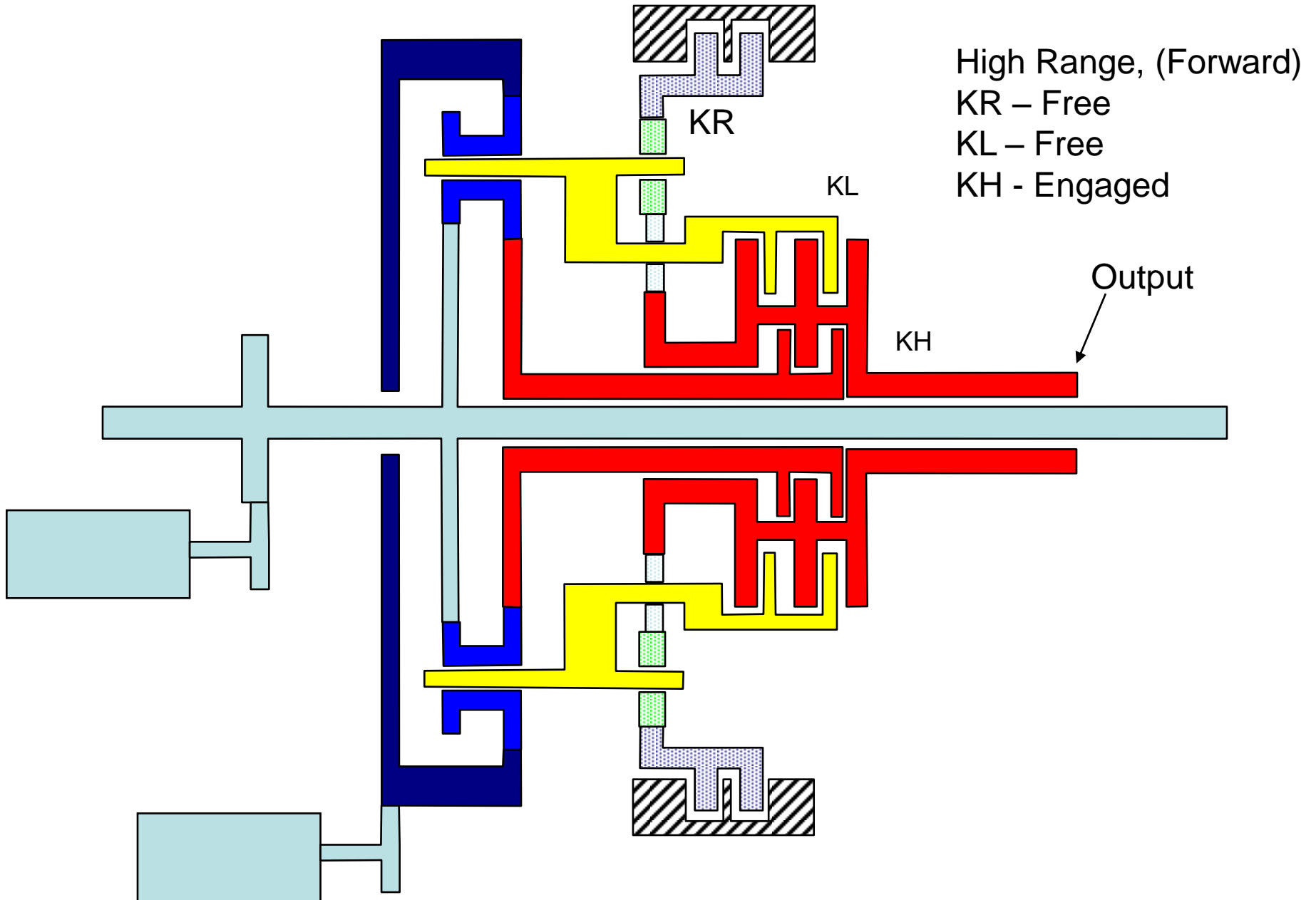
$$N_s.n_s = N_{pc}[n_s + n_r.(n_{ps} / n_{pr})] - N_r[n_r.(n_{ps} / n_{pr})]$$



$$N_s.n_s = N_{pc}[n_s + n_r.(n_{ps} / n_{pr})] - N_r[n_r.(n_{ps} / n_{pr})]$$



$$N_s.n_s = N_{pc}[n_s + n_r.(n_{ps} / n_{pr})] - N_r[n_r.(n_{ps} / n_{pr})]$$



$$N_s.n_s = N_{pc}[n_s + n_r.(n_{ps} / n_{pr})] - N_r[n_r.(n_{ps} / n_{pr})]$$

